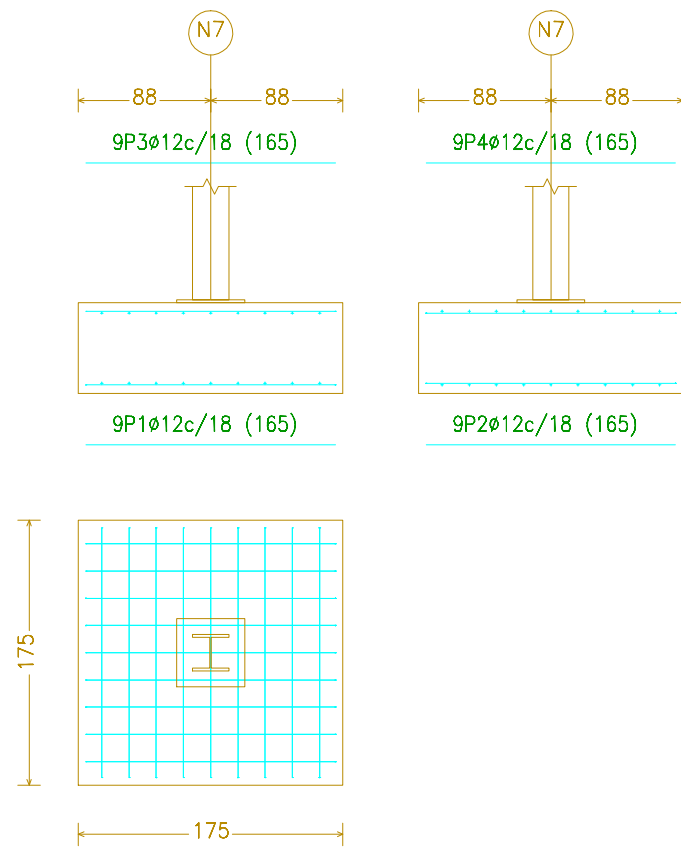
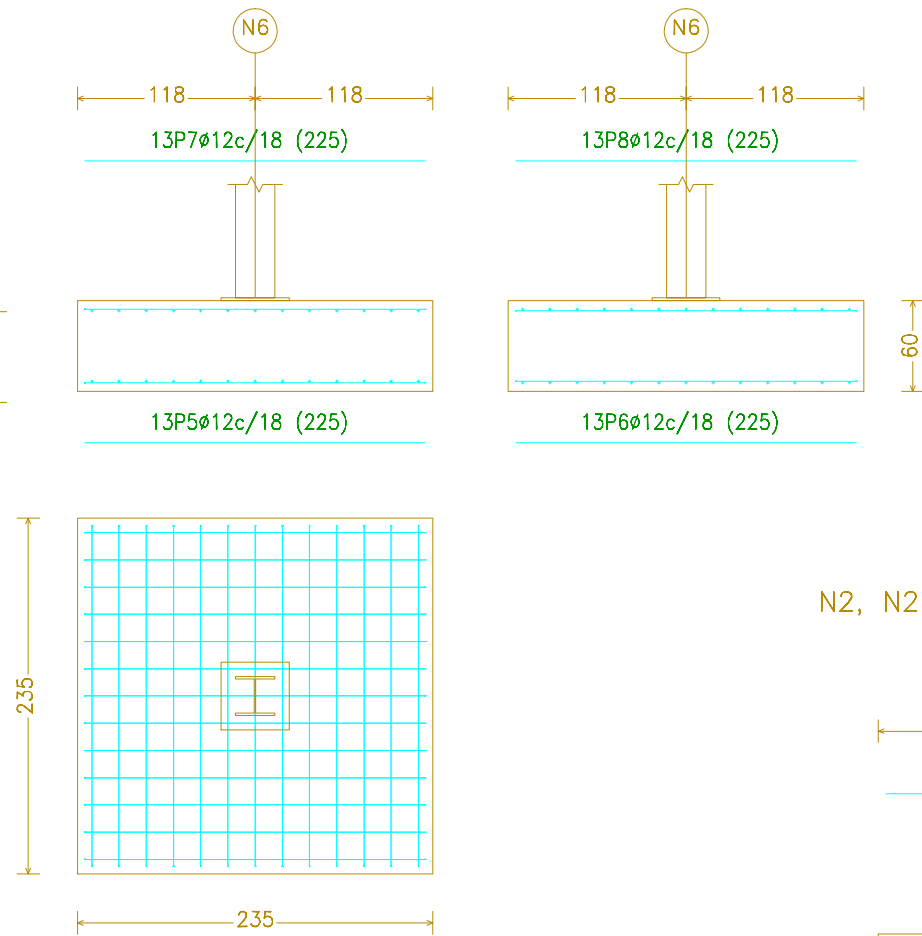


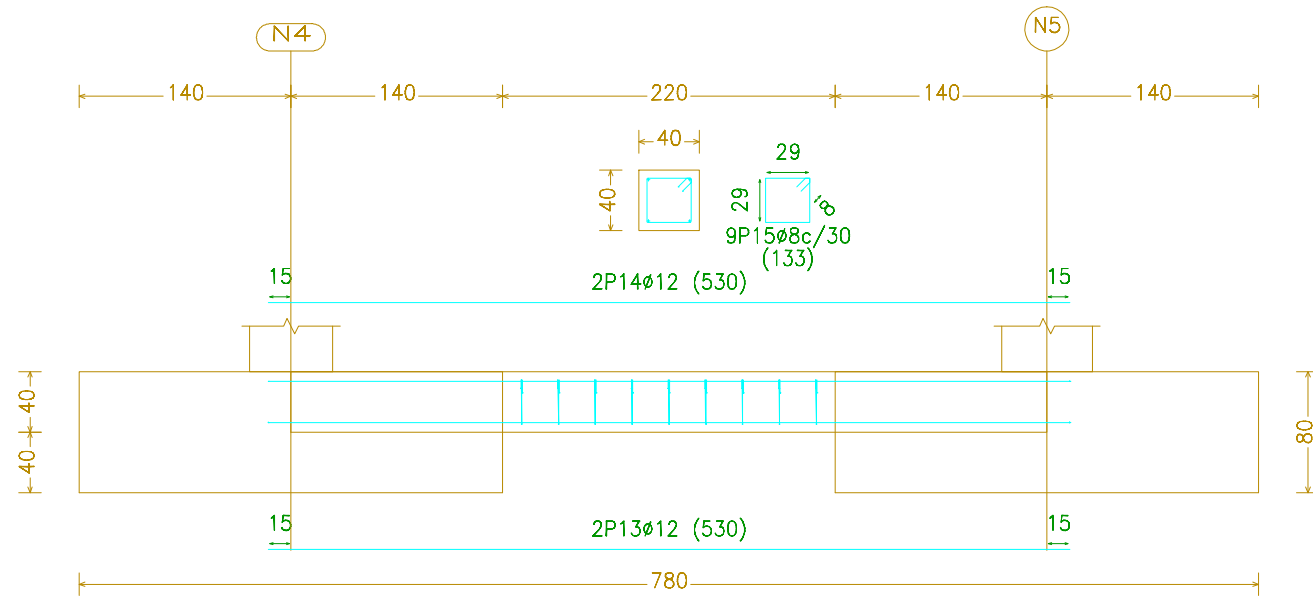
N7yN7'



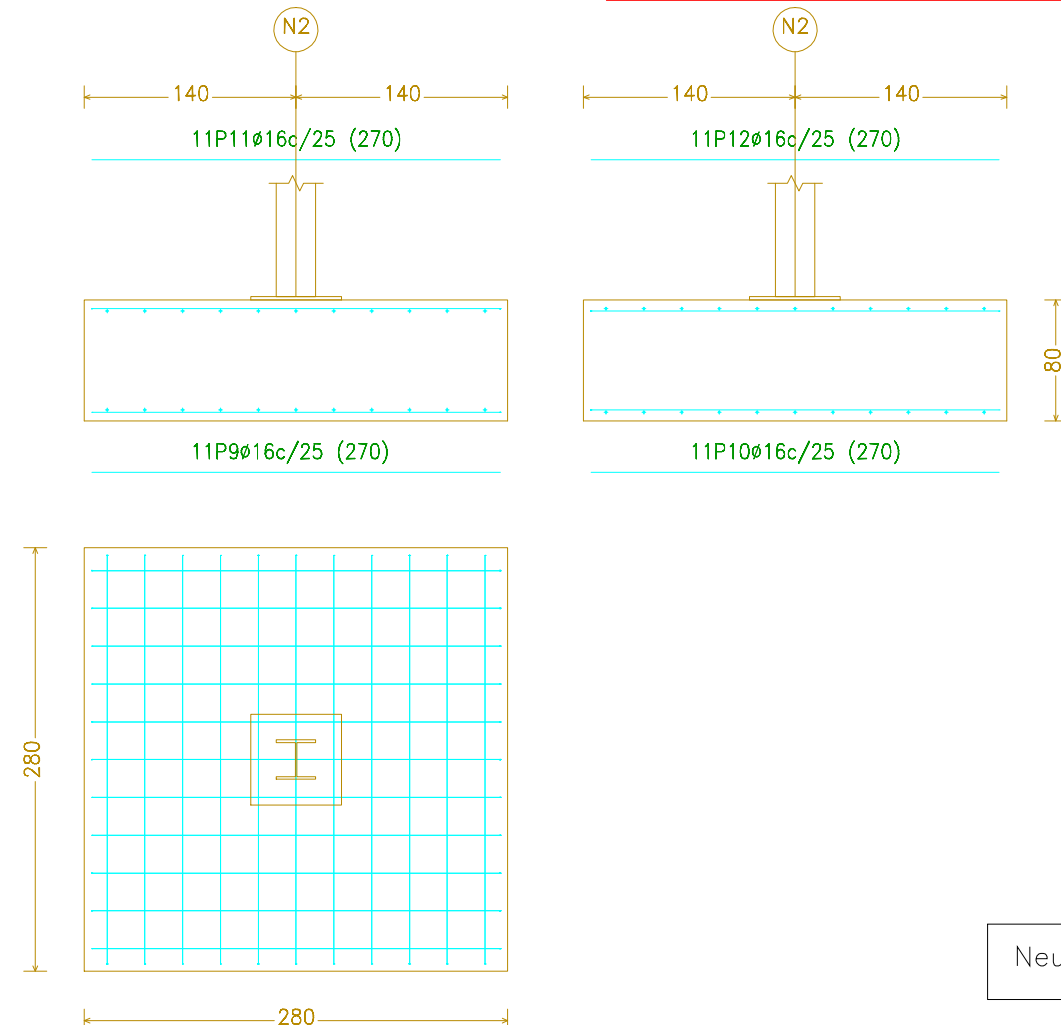
N6 y N6'



C.1 [N4-N5], C.1 [N7B-N6B], C.1 [N31-N26], C.1 [N11-N6], C.1 [N2-N3], C.1 [N7B-N6B]  
 C.1 [N6-N7], C.1 [N6-N5], C.1 [N C.1 [N2-N3], C.1 [N4-N5] ] C C.1 [N6-N7], C.1 [N3-N4]  
 C.1 [N6BE-N7BE], C.1 [N1-N2] y C.1 [N3-N4]



N2, N2', N3, N3', N4, N4', N5 y N5'



Neurriak cm-tan

Elemento	Pos.	Diám.	No.	Long. (cm)	Total (cm)	B 400 S, Ys=1.1 (kg)
N7=N7'	1	Ø12	9	165	1485	13.2
	2	Ø12	9	165	1485	13.2
	3	Ø12	9	165	1485	13.2
	4	Ø12	9	165	1485	13.2
Total+10% (x2):					58.1	116.2
N6=N6'	5	Ø12	13	225	2925	26.0
	6	Ø12	13	225	2925	26.0
	7	Ø12	13	225	2925	26.0
	8	Ø12	13	225	2925	26.0
Total+10% (x2):					114.4	228.8
N2=N2'=N3=N3'=N4=N4' N5=N5'	9	Ø16	11	270	2970	46.9
	10	Ø16	11	270	2970	46.9
	11	Ø16	11	270	2970	46.9
	12	Ø16	11	270	2970	46.9
Total+10% (x8):					206.4	1651.2
C.1 [N4-N5], C.1 [N7B-N6B], C.1 [N1-N2], C.1 [N5-N6], C.1 [N2-N3], C.1 [N7B-N6B], C.1 [N6-N7], C.1 [N6-N5], C.1 [N C.1 [N2-N3], C.1 [N4-N5] ] C.1 [N6-N7], C.1 [N3-N4], C.1 [N6BE-N7BE], C.1 [N1-N2] C.1 [N3-N4]	13	Ø12	2	530	1060	9.4
	14	Ø12	2	530	1060	9.4
	15	Ø8	9	133	1197	4.7
Total+10% (x15):					25.9	388.5
					Ø8:	78.0
					Ø12:	655.5
					Ø16:	1651.2
					Total:	2384.7

	DATA	IZENA	(SINADURA)	
Irudikatuta	2019/02/02	Ander Fernandez Martinez		
Egiaztatuta	2019/02/02	Ander Fernandez Martinez		
ESKALA	ERAIKIN INDUSTRIAL BATEN ERAIKUNTZA PROIEKTUA BERMEON ( BIZKAIA)			PLANOA <b>07</b>
1:50	ZIMENTAZIOA (ZAPATEN DETAILAK)			